

DATA SHEET

CFP2 PLUGGABLE EDFA

DESCRIPTION

The Jabil Photonics CFP2 form factor EDFA is a pluggable CFP2 product designed for single channel or C-band DWDM amplification in Telecom, Datacom or CATV applications. It is designed to be compatible with CFP2 MSA on mechanical and electrical interface.

The CFP2 EDFA supports the constant gain working mode and can monitor the input and output optical power in real time, supporting optical safety functionality by signal loss detection and alarm at any input port, fast power down control and reduced max output power in safe power mode.

Booster or preamplifier versions are available.



KEY FEATURES

CFP2 form factor, super compact form factor

1529-1561nm, DWDM Application

Preamplifier or Booster version

Output power up to 20dBm (Booster)

Output power up to 10dBm (Preamplifier)

Highly integrated passive component and ultra small form factor pump

Constant gain operation mode

Operating temperature -40°C to 65°C

APPLICATIONS

DWDM application with GFF

CATV

DATA SHEET

CFP2 PLUGGABLE EDFA

ENVIRONMENTAL SPECIFICATIONS

Parameter	Min.	Typ.	Max.	Unit
Operation Temperature	-40	25	+65	°C
Storage Temperature	-40	-----	+85	°C
Operation Humidity*	5	-----	95	%
Storage Humidity	5	-----	95	%

(*) not condensing

OPERATING SPECIFICATIONS

Parameter	Min.	Typ.	Max.	Unit
Supply Voltage	3.1	+3.3	+3.5	V
Power Dissipation	5.8	8	11	W

OPTICAL SPECIFICATIONS

PREAMPLIFIER

Parameter	Min.	Typ.	Max.	Unit
Wavelength	1529		1561	nm
Input Power	-35		-10	dBm
Output Power	-7		10	dBm
Output Power Variation	-0.3		0.3	dB
Gain		20		dB
Gain Flatness (peak to peak)			1.3	dB
Gain Accuracy	-0.5		0.5	dB
Noise Figure			6.0	dB
PDL			0.3	dB
PMD			0.5	ps
Return Loss	45			dB
LOSA		-37		dBm
Hysteresis		2		dB

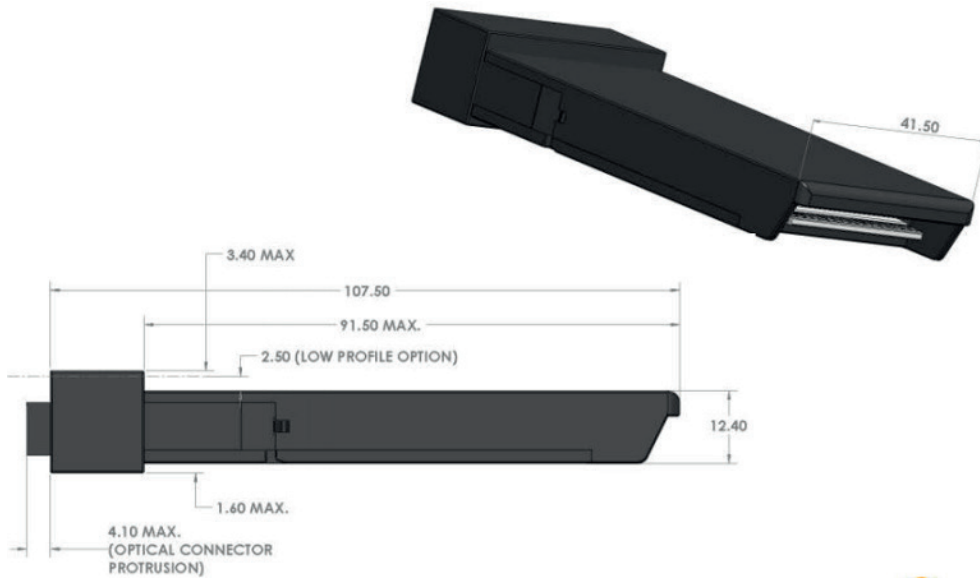
BOOSTER

Parameter	Min.	Typ.	Max.	Unit
Wavelength	1529		1561	nm
Input Power	-20		10	dBm
Output Power	0		20	dBm
Output Power Variation	-0.3		0.3	dB
Gain		20		dB
Gain Flatness (peak to peak)			1.3	dB
Gain Accuracy	-0.5		0.5	dB
Noise Figure			6.0	dB
PDL			0.3	dB
PMD			0.5	ps
Return Loss	45			dB
LOSA		-22		dBm
Hysteresis		2		dB

DATA SHEET

CFP2 PLUGGABLE EDFA

DIMENSIONS



ORDERING INFORMATION

Jabil Part Number	Package	Gain	Output Power	Other info
JP-EDFA-CFP2-2010	CFP2	20 dB	10dBm	Preamplifier
JP-EDFA-CFP2-2020	CFP2	20 dB	20dBm	Booster

For additional information, visit jabil.com/photonics